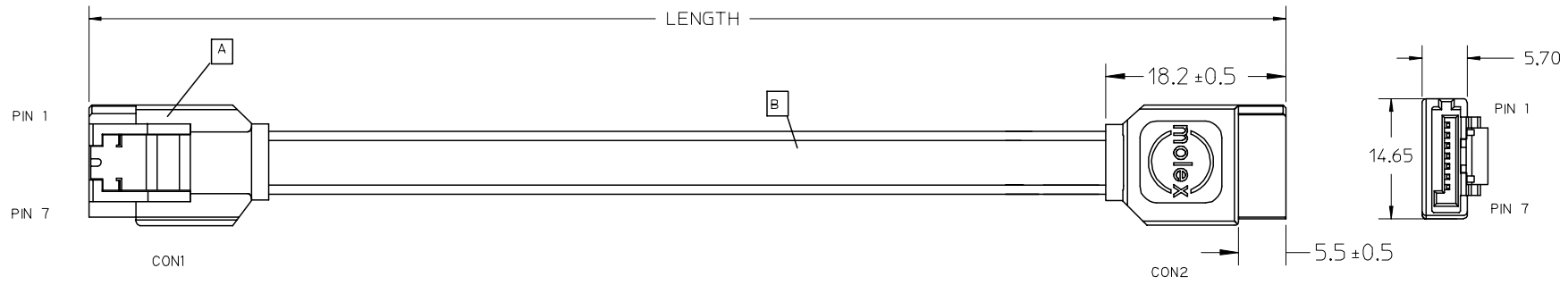
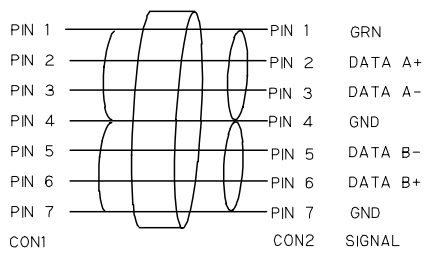


7 6 5 4 3 2 1



WIRE CHART



- NOTE:
1. OUTER MOLD WITH BLACK PVC RESIN 887800042.
  2. DIELECTRONIC STRENGTH:500V/0.01S DC
  3. INSULATION RESISTANCE:100M OHMS MIN.
  4. CONDUCTIVE RESISTOR: 2 OHMS

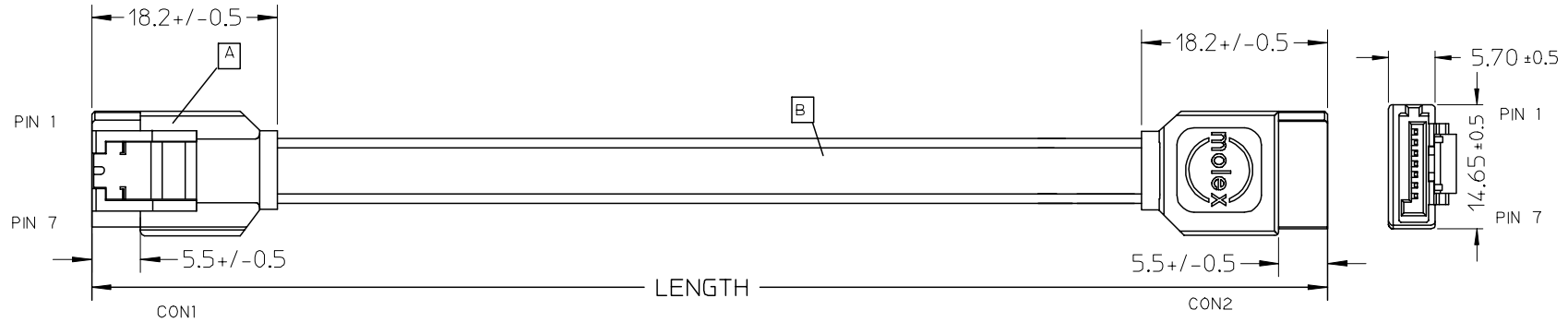
68561-0015	1000+/-20	40.0+/-0.8	S-ATA LATCHING ST TO ST CABLE,1.0M. RED
68561-0014	500+/-10	20.0+/-0.4	S-ATA LATCHING ST TO ST CABLE,0.5M. RED
MOLEX P/N	LENGTH (mm)	LENGTH (inch)	DESCRIPTION

B	S-ATA DATA CABLE RED 887808052	N/A	
A	S-ATA STRAIGHT RECEPTACLE WITH LATCH (Au 30u) 674899002		2
ITEM	DESCRIPTION	L(MM)	QTY.

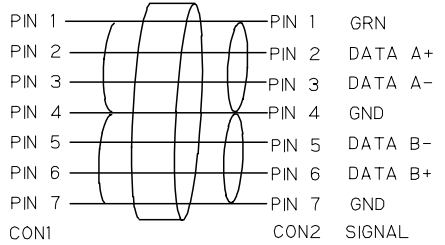
ENTER DESCRIPTION EC NO: DG2005-0009 DRWN:GX YANG 2004/08/11 CHKD: 2004/08/18 APPR:BOCHEN 2004/08/18 REV	QUALITY SYMBOLS ▽=0 ◻=0	GENERAL TOLERANCES (UNLESS SPECIFIED) mm INCH 4 PLACES ± --- ± --- 3 PLACES ± --- ± --- 2 PLACES ± --- ± --- 1 PLACE ± --- ± --- ANGULAR ± ---°	DIMENSION STYLE MM ONLY DRAWN BY DATE GX YANG 04/08/10 CHECKED BY DATE TEDDY 04/08/10 APPROVED BY DATE BORON 04/08/10 MATERIAL NO. 685610014/5	SCALE --- DESIGN UNITS METRIC THIRD ANGLE PROJECTION	TITLE S-ATA ST LATCHING TO ST LATCHING SIGNAL CBL RED,0.5M,1.0M MOLEX INCORPORATED DOCUMENT NO. SD-68561-001 SHEET NO. 1 OF 1
	DRAFT WHERE APPLICABLE MUST REMAIN WITHIN DIMENSIONS		THIS DRAWING CONTAINS INFORMATION THAT IS PROPRIETARY TO MOLEX INCORPORATED AND SHOULD NOT BE USED WITHOUT WRITTEN PERMISSION		

6 5 4 3 2 1

7 6 5 4 3 2 1



WIRE CHART



NOTE:  
 1. OUTER MOLD WITH BLACK PVC RESIN 887800042.  
 INNER MOLD WITH PE RESIN 887800008:  
 ELECTRICAL PERFORMANCE:  
 2. DIELECTRONIC STRENGTH:500V/0.01S DC.  
 3. INSULATION RESISTANCE:100M OHMS MIN.  
 4. CONDUCTIVE RESISTOR: 2 OHMS.

68561-0015	1000+/-20	40.0+/-0.8	S-ATA LATCHING ST TO ST CABLE,1.0M, RED
68561-0014	500+/-10	20.0+/-0.4	S-ATA LATCHING ST TO ST CABLE,0.5M, RED
MOLEX P/N	LENGTH (mm)	LENGTH (inch)	DESCRIPTION

B	S-ATA DATA CABLE RED 887808052	
A	S-ATA STRAIGHT RECEPTACLE WITH LATCH (Au 30u) 674899002	2
ITEM	DESCRIPTION	QTY.

ENTER DESCRIPTION EC NO: DG2005-0125 DRWN: JLIU13 CHKD: TEDDY APPR: TKAN	2005/04/04 2005/04/04 2005/04/04	QUALITY SYMBOLS ▽=0 □=0	GENERAL TOLERANCES (UNLESS SPECIFIED)		DIMENSION STYLE	SCALE	DESIGN UNITS	THIRD ANGLE PROJECTION		
					MM ONLY	---	METRIC			
			4 PLACES	± ---	± ---	DRAWN BY	DATE	TITLE S-ATA ST TO ST WITH LATCH RED CABLE ASS'Y		
			3 PLACES	± ---	± ---	JLIU13	2005/04/04			
2 PLACES	± ---	± ---	CHECKED BY	DATE	MATERIAL NO. 685610014					
1 PLACE	± ---	± ---	TEDDY	2005/04/04						
ANGULAR ± ---°			APPROVED BY		DATE	DOCUMENT NO. SD-68561-0014				
DRAFT WHERE APPLICABLE MUST REMAIN WITHIN DIMENSIONS			BORON		2005/04/04					
			MATERIAL NO.		685610014	SHEET NO. 1 OF 1				
			SIZE		A/4	THIS DRAWING CONTAINS INFORMATION THAT IS PROPRIETARY TO MOLEX INCORPORATED AND SHOULD NOT BE USED WITHOUT WRITTEN PERMISSION				

6 5 4 3 2 1